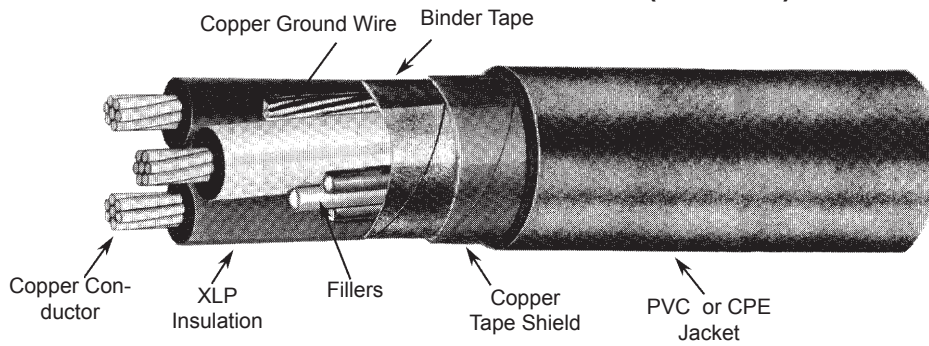


**TYPE TC, TYPE TC-ER TRAY CABLE, 600 VOLT, SHIELDED  
CROSS-LINKED POLYETHYLENE INSULATION (XHHW-2)**

**SPEC 6-25-2**  
Ver. 7.1  
Revised: 01/20/09



**90°C CONDUCTOR TEMPERATURE WET OR DRY**

Conductor			Insulation in Mils	Overall Jacket in Mils	Size AWG Copper Ground Wire	Approximate O.D. in Inches	Ampacity		Approximate Net Weight LBS/KFT
Size AWG or KCMIL	No. of Strands*	Nominal O.D.					90°C <sup>1</sup>	90°C <sup>2</sup>	

**THREE CONDUCTOR 600 VOLT**

8	7	0.14	45	60	8	0.70	55	48	370
6	7	0.18	45	60	8	0.77	75	65	490
4	7	0.23	45	80	8	0.91	95	89	705
2	7	0.28	45	80	6	1.04	130	119	1020
1	19	0.32	55	80	6	1.17	150	137	1255
1/0	19	0.36	55	80	6	1.26	170	163	1495
2/0	19	0.41	55	80	6	1.35	195	186	1800
3/0	19	0.46	55	80	4	1.46	225	214	2230
4/0	19	0.51	55	80	4	1.58	260	253	2700
250	37	0.56	65	110	4	1.79	290	276	3255
300	37	0.61	65	110	3	1.90	320	317	3825
350	37	0.66	65	110	3	2.01	350	345	4365
400	37	0.71	65	110	3	2.11	380	371	4900
500	37	0.79	65	110	2	2.28	430	427	5995
600	61	0.87	80	110	2	2.52	475	468	7150
750	61	0.97	80	110	1	2.74	535	529	8785
1000	61	1.12	80	140	1/0	3.12	615	617	11615

**FOUR CONDUCTOR 600 VOLT**

8	7	0.14	45	60	8	0.76	44	38	450
6	7	0.18	45	60	8	0.84	60	52	600
4	7	0.23	45	80	8	1.00	76	71	875
2	7	0.28	45	80	6	1.14	104	95	1270
1	19	0.32	55	80	6	1.29	120	110	1575
1/0	19	0.36	55	80	6	1.38	136	130	1895
2/0	19	0.41	55	80	6	1.49	156	149	2290
3/0	19	0.46	55	80	4	1.61	180	171	2835
4/0	19	0.51	55	110	4	1.80	208	202	3545
250	37	0.56	65	110	4	1.97	232	221	4155
300	37	0.61	65	110	3	2.10	256	254	4890
350	37	0.66	65	110	3	2.22	280	276	5600
400	37	0.71	65	110	3	2.33	304	297	6300
500	37	0.79	65	110	2	2.53	344	342	7720
600	61	0.87	80	140	2	2.85	380	374	9380
750	61	0.97	80	140	1	3.10	428	423	11525
1000	61	1.12	80	140	1/0	3.46	492	494	15020

**Note:**<sup>1</sup>Based on cables installed in uncovered cable tray at the conductor temperature indicated, 30°C ambient temperature per NEC.

<sup>2</sup>Based on cables in raceway in free air, 30°C ambient temperature per NEC.

The above data is approximate and subject to normal manufacturing tolerances.

**STANDARDS AND RATINGS:**

1. Listed by UL as Type TC per Standard 1277 & IEEE 1202.
2. Listed by UL as Type TC-ER per Standard 1277. (4AWG & larger, PVC jacketed only)
3. Conforms to ICEA S-95-658/NEMA WC70 Nonshielded 0-2KV Cables.
4. Listed by UL as Sunlight Resistant.
5. Listed by UL as Direct Burial.

AETNA INSULATED WIRE, INC.  
1537 AIR RAIL AVENUE, VIRGINIA BEACH, VA 23455  
TELEPHONE: (800) 423-6505 FAX: (757) 605-2094  
WWW.AETNAWIRE.COM

