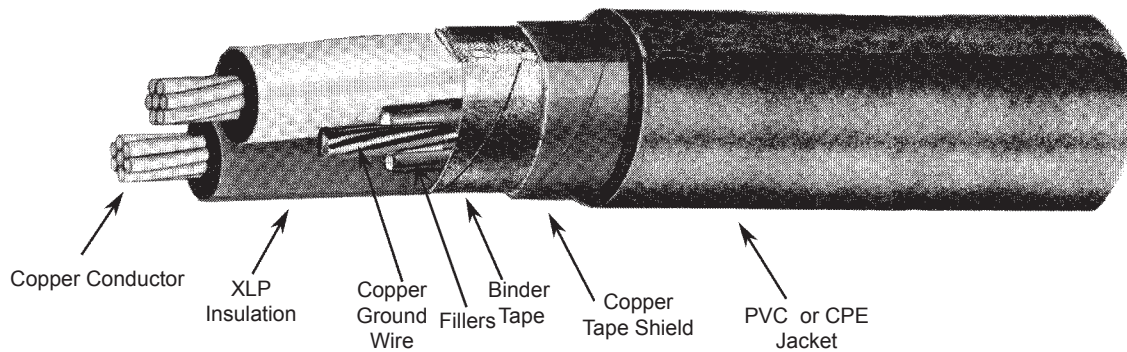


**TYPE TC, TYPE TC-ER TRAY CABLE, 600 VOLT, SHIELDED
CROSS-LINKED POLYETHYLENE INSULATION (XHHW-2)**

SPEC 6-25-1.1

Ver. 7.1

Revised: 01/20/09



90°C CONDUCTOR TEMPERATURE WET OR DRY

Conductor			Insulation in Mils	Overall Jacket in Mils	Size AWG Copper Ground Wire	Approximate O.D. in Inches	Ampacity		Approximate Net Weight LBS/KFT
Size AWG or KCMIL	No. of Strands*	Nominal O.D.					90°C ¹	90°C ²	

TWO CONDUCTOR 600 VOLT

8	7	0.14	45	60	8	0.66	55	48	300
6	7	0.18	45	60	8	0.73	75	65	385
4	7	0.23	45	60	8	0.82	95	89	515
2	7	0.28	45	80	6	0.98	130	119	775
1	19	0.32	55	80	6	1.10	150	137	940
1/0	19	0.36	55	80	6	1.18	170	163	1115
2/0	19	0.41	55	80	6	1.27	195	186	1325
3/0	19	0.46	55	80	4	1.37	225	214	1635
4/0	19	0.51	55	80	4	1.48	260	253	1965
250	37	0.56	65	80	4	1.62	290	276	2290
300	37	0.61	65	110	3	1.78	320	317	2785
350	37	0.66	65	110	3	1.88	350	345	3155
400	37	0.71	65	110	3	1.97	380	371	3530
500	37	0.79	65	110	2	2.14	430	427	4295
600	61	0.87	80	110	2	2.36	475	468	5100
750	61	0.97	80	110	1	2.56	535	529	5905
1000	61	1.12	80	140	1/0	2.92	615	617	8255

Note:¹Based on cables installed in uncovered cable tray at the conductor temperature indicated, 30°C ambient temperature per NEC.

²Based on cables in raceway in free air, 30°C ambient temperature per NEC.

*19W strand is combination unilay per ASTM 787.

The above data is approximate and subject to normal manufacturing tolerances.

STANDARDS AND RATINGS:

1. Listed by UL as Type TC per Standard 1277 & IEEE 1202.
2. Listed by UL as Type TC-ER per Standard 1277. (4AWG & larger, PVC jacketed only)
3. Conforms to ICEA S-95-658/NEMA WC70 Nonshielded 0-2KV Cables.
4. Listed by UL as Sunlight Resistant.
5. Listed by UL as Direct Burial.

AETNA INSULATED WIRE, INC.
1537 AIR RAIL AVENUE, VIRGINIA BEACH, VA 23455
TELEPHONE: (800) 423-6505 FAX: (757) 605-2094
WWW.AETNAWIRE.COM

