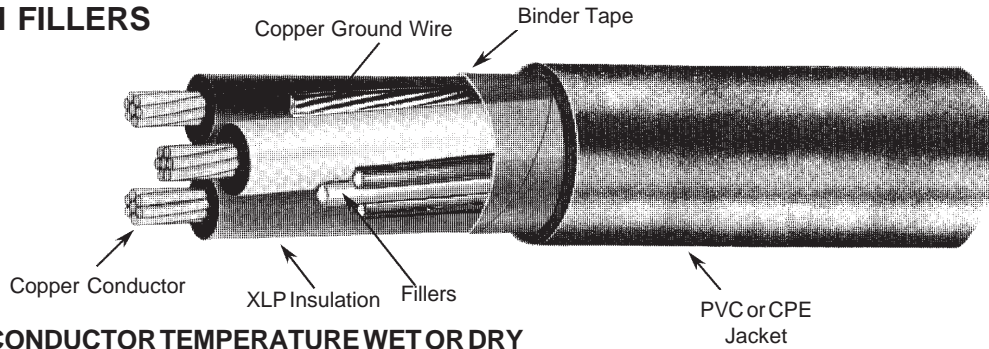


**TYPE TC TRAY CABLE, 600 VOLT,
CROSS-LINKED POLYETHYLENE INSULATION (XHHW-2)
WITH FILLERS**

SPEC 6-15-2
Ver. 7.0
Revised: 05/25/06



90°C CONDUCTOR TEMPERATURE WET OR DRY

Conductor			Insulation in Mils	Overall Jacket in Mils	Size AWG Copper Ground Wire	Approximate O.D. in Inches	Ampacity		Approximate Net Weight LBS/KFT
Size AWG or KCMIL	No. of Strands*	Nominal O.D.					90°C ¹	90°C ²	

THREE CONDUCTOR 600 VOLT

8	7	0.14	45	60	8	0.68	55	48	330
6	7	0.18	45	60	8	0.75	75	65	445
4	7	0.23	45	80	8	0.89	95	89	650
2	7	0.28	45	80	6	1.02	130	119	955
1	19	0.32	55	80	6	1.15	150	137	1180
1/0	19	0.36	55	80	6	1.24	170	163	1415
2/0	19	0.41	55	80	6	1.33	195	186	1710
3/0	19	0.46	55	80	4	1.44	225	214	2130
4/0	19	0.51	55	80	4	1.56	260	253	2595
250	37	0.56	65	110	4	1.77	290	276	3140
300	37	0.61	65	110	3	1.88	320	317	3700
350	37	0.66	65	110	3	1.99	350	345	4235
400	37	0.71	65	110	3	2.09	380	371	4760
500	37	0.79	65	110	2	2.26	430	427	5840
600	61	0.87	80	110	2	2.50	475	468	6975
750	61	0.97	80	110	1	2.72	535	529	8595
1000	61	1.12	80	140	1/0	3.10	615	617	11400

FOUR CONDUCTOR 600 VOLT

8	7	0.14	45	60	8	0.74	44	38	400
6	7	0.18	45	60	8	0.82	60	52	550
4	7	0.23	45	80	8	0.98	76	71	815
2	7	0.28	45	80	6	1.12	104	95	1200
1	19	0.32	55	80	6	1.27	120	110	1490
1/0	19	0.36	55	80	6	1.36	136	130	1805
2/0	19	0.41	55	80	6	1.47	156	149	2190
3/0	19	0.46	55	80	4	1.59	180	171	2725
4/0	19	0.51	55	110	4	1.78	208	202	3430
250	37	0.56	65	110	4	1.95	232	221	4030
300	37	0.61	65	110	3	2.08	256	254	4755
350	37	0.66	65	110	3	2.20	280	276	5450
400	37	0.71	65	110	3	2.31	304	297	6145
500	37	0.79	65	110	2	2.51	344	342	7545
600	61	0.87	80	140	2	2.83	380	374	9190
750	61	0.97	80	140	1	3.08	428	423	11315
1000	61	1.12	80	140	1/0	3.44	492	494	14780

Note: Based on cables installed in uncovered cable tray at the conductor temperature indicated, 30°C ambient temperature per NEC.

²Based on cables in raceway in free air, 30°C ambient temperature per NEC.

*19W strand is combination unilay per ASTM 787.

The above data is approximate and subject to normal manufacturing tolerances.

STANDARDS AND RATINGS:

1. Listed by UL as Type TC per Standard 1277.
2. Conforms to ICEA S-95-658/NEMA WC70 Nonshielded 0-2KV Cables.
3. Listed by UL as Sunlight Resistant.
4. Listed by UL as Direct Burial.

AETNA INSULATED WIRE COMPANY
1537 AIR RAIL AVENUE, VIRGINIA BEACH, VA 23455
TELEPHONE: (800) 423-6505 FAX: (757) 605-2094
WWW.AETNAWIRE.COM

