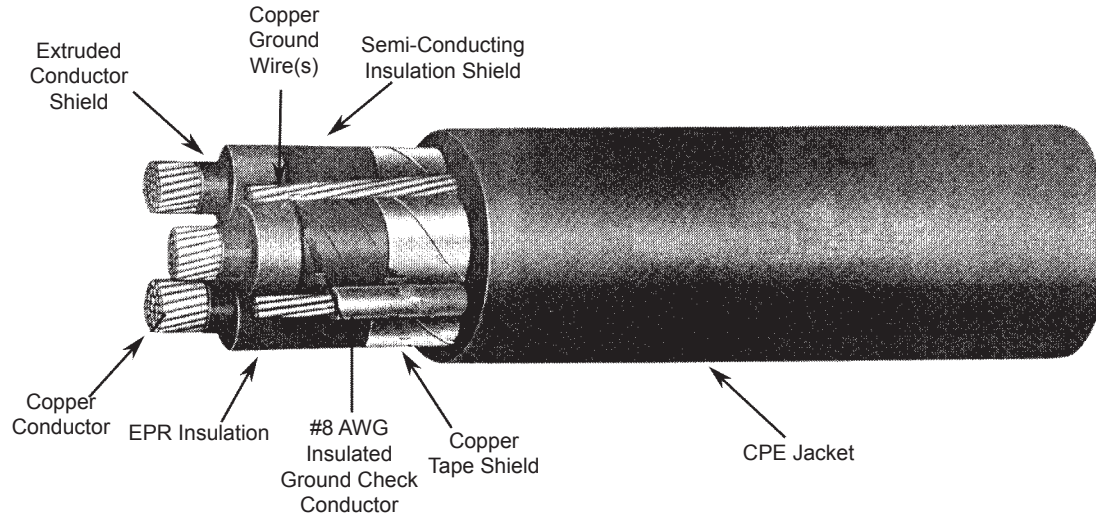


**MINE POWER FEEDER CABLE, TYPE MP-GC, 5000 VOLT,
EPR, 90°C CONDUCTOR TEMPERATURE**

SPEC 4-23-1
Ver. 7.1
Revised: 12/04/08



90°C CONDUCTOR TEMPERATURE, 100% OR 133% INSULATION LEVEL

Conductor			Insulation in Mils	Overall Jacket in Mils	Size AWG Copper Ground Wire(s)	Approximate O.D. in Inches	Ampacity** 40°C Ambient	Approximate Net Weight LBS/KFT
Size AWG or KCMIL	No. of Strands	Nominal O.D.						

THREE CONDUCTOR 5000 VOLT SHIELDED

6*	7	0.18	90	110	8	1.31	93	1090
4*	7	0.23	90	110	8	1.41	122	1320
2	7	0.27	90	110	6	1.51	159	1695
1*	19	0.32	90	110	5	1.62	184	2000
1/0	19	0.34	90	110	4	1.65	211	2290
2/0	19	0.38	90	110	3	1.74	243	2700
3/0	19	0.42	90	140	2	1.90	279	3320
4/0	19	0.48	90	140	1	2.01	321	3955
250	37	0.52	90	140	1/0	2.14	355	4605
350	37	0.62	90	140	2/0	2.35	435	5950
500	37	0.74	90	140	4/0	2.61	536	8155

Note: **Based on one three conductor cable in free air per ICEA/
NEMA.

*Compressed conductors.

The above data is approximate and subject to normal manufacturing
tolerances.

STANDARDS AND RATINGS:

1. Listed for CFR 30 Part 7K per MSHA.
2. Cable UL listed as Type MP-GC. (PVC & CPE Jacketed)
3. Conductors and materials conform to UL 1072.
4. Conductors and materials conform to ICEA S-93-639.
5. Conforms to ICEA S-75-381/NEMA WC58 Portable and Power Feeder Cables for Use in Mines and Similar Applications.

AETNA INSULATED WIRE, INC.
1537 AIR RAIL AVENUE, VIRGINIA BEACH, VA 23455
TELEPHONE: (800) 423-6505 FAX: (757) 605-2094
WWW.AETNAWIRE.COM

