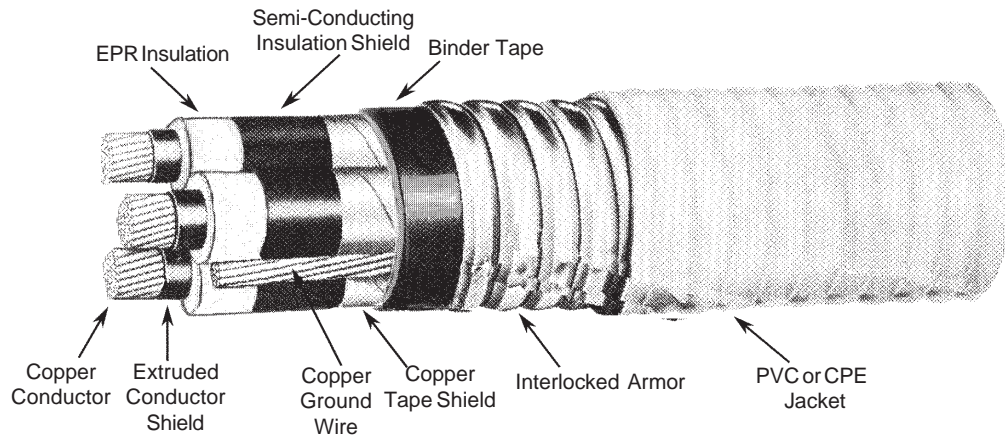


INTERLOCKED ARMORED POWER CABLE, 25000/28000 VOLT OR 35000 VOLT, EPR, SHIELDED

SPEC 3-82-5
Ver. 7.0
Revised: 06/19/08



105°C CONDUCTOR TEMPERATURE, WET OR DRY, 100% OR 133% INSULATION LEVEL

Conductor			Insulation in Mils	Overall Jacket in Mils	Size* AWG Copper Ground Wire	Approximate O.D. in Inches	Ampacity+ 40°C Ambient	Approximate Net Weight§ LBS/KFT
Size AWG or KCMIL	No. of Strands	Nominal O.D.						

THREE CONDUCTOR 25000/28000 VOLT 133% OR 35000 VOLT 100% INSULATION LEVEL

1*	19	0.32	345	75	4	3.09	210	4015
1/0	19	0.34	345	75	4	3.12	240	4275
2/0	19	0.38	345	85	4	3.22	275	4745
3/0	19	0.42	345	85	3	3.33	315	5295
4/0	19	0.48	345	85	3	3.44	360	5910
250	37	0.52	345	85	2	3.57	400	6570
300*	37	0.61	345	85	2	3.76	445	7400
350	37	0.62	345	85	2	3.77	490	7910
400*	37	0.71	345	85	1	3.97	530	8805
500	37	0.74	345	85	1	4.08	600	10010
600*	61	0.87	345	85	1/0	4.41	660	11670
750	61	0.91	345	85	1/0	4.50	745	13310

THREE CONDUCTOR 35000 VOLT, SHIELDED, 133% INSULATION LEVEL

1/0	19	0.34	420	85	4	3.48	240	5060
2/0	19	0.38	420	85	4	3.56	275	5495
3/0	19	0.42	420	85	3	3.67	315	6060
4/0	19	0.48	420	85	3	3.78	360	6705
250	37	0.52	420	85	2	3.90	400	7390
300*	37	0.61	420	85	2	4.15	445	8385
350	37	0.62	420	85	2	4.16	490	8895
400*	37	0.71	420	85	1	4.35	530	9840
500	37	0.74	420	85	1	4.42	600	10935

Note:**Based on three conductor cable isolated in air per NEC. For other installations refer to the NEC.

§Weights based on aluminum armor assembly.

*Compressed conductors.

The above data is approximate and subject to normal manufacturing tolerances.

STANDARDS AND RATINGS:

1. Conforms to ICEA S-93-639/NEMA WC74 Shielded Power Cable 5-46KV.
2. Cable listed by UL as Type MV-105 or MC per Standard 1072.
3. Listed by UL as Sunlight Resistant, for Direct Burial, and For CT Use.
4. Listed by UL as For CT Use & LS (Aetna 3742 LSOH jacket only)

AETNA INSULATED WIRE, INC.
1537 AIR RAIL AVENUE, VIRGINIA BEACH, VA 23455
TELEPHONE: (800) 423-6505 FAX: (757) 605-2094
WWW.AETNAWIRE.COM

