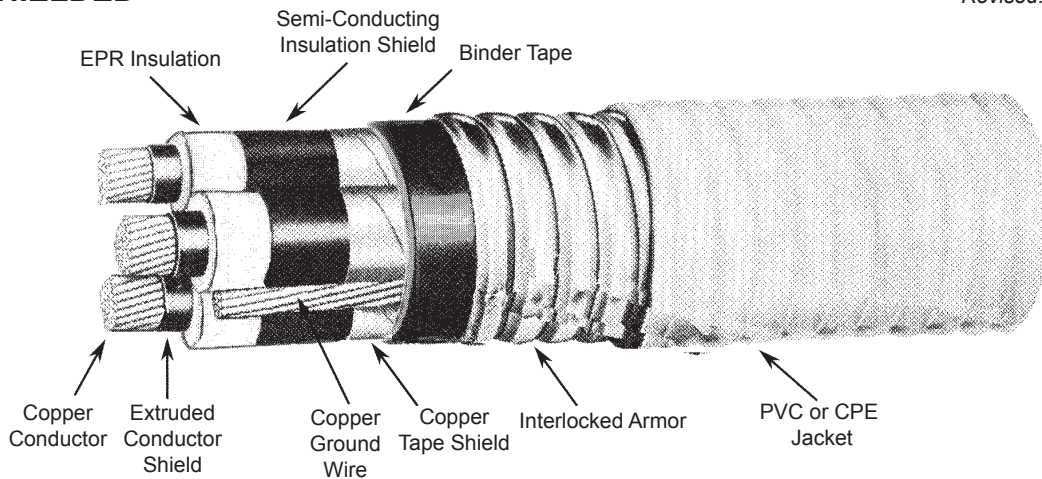


INTERLOCKED ARMORED POWER CABLE, 5000 VOLT EPR, SHIELDED

SPEC 3-82-1
Ver. 7.1
Revised: 12/30/08



105°C CONDUCTOR TEMPERATURE, WET OR DRY, 100% OR 133% INSULATION LEVEL

Conductor			Insulation in Mils	Overall Jacket in Mils	Size AWG Copper Ground Wire	Approximate O.D. in Inches	Ampacity** 40°C Ambient	Approximate Net Weight§ LBS/KFT
Size AWG or KCMIL	No. of Strands	Nominal O.D.						

THREE CONDUCTOR 5000 VOLT, SHIELDED

8*	7	0.14	90	50	8	1.29	66	835
6*	7	0.18	90	50	6	1.37	88	1025
4*	7	0.23	90	50	6	1.46	115	1255
2	7	0.27	90	60	6	1.55	154	1565
1*	19	0.32	90	60	4	1.69	180	1915
1/0	19	0.34	90	60	4	1.72	205	2150
2/0	19	0.38	90	60	4	1.81	240	2490
3/0	19	0.42	90	60	3	2.08	280	3045
4/0	19	0.48	90	60	3	2.19	320	3570
250	37	0.52	90	60	2	2.32	355	4130
300*	37	0.61	90	75	2	2.54	400	4870
350	37	0.62	90	75	2	2.55	440	5370
400*	37	0.71	90	75	1	2.75	470	6115
500	37	0.74	90	75	1	2.81	545	7145
600*	61	0.87	90	75	1/0	3.19	605	8691
750	61	0.91	90	85	1/0	3.28	685	10260
1000*	61	1.12	90	85	2/0	3.72	790	13295

Note: **Based on three conductor cable isolated in air per NEC. For other installations refer to the NEC.

The above data is approximate and subject to normal manufacturing tolerances.

*Compressed conductors.

§Weights based on aluminum armor assembly.

STANDARDS AND RATINGS:

1. Conforms to ICEA S-93-639/NEMA WC74 Shielded Power Cable 5-46KV.
2. Cable listed by UL as Type MV-105 or MC per Standard 1072.
3. Listed by UL as Sunlight Resistant, for Direct Burial, For CT Use and IEEE 1202.
4. Listed by UL as For CT Use & LS (Aetna 3742 LSOH jacket only)
5. Conforms to ICEA T-29-520 210 KBTU/HR Vertical Tray Flame Test (PVC jacket only)

AETNA INSULATED WIRE, INC.
1537 AIR RAIL AVENUE, VIRGINIA BEACH, VA 23455
TELEPHONE: (800) 423-6505 FAX: (757) 605-2094
WWW.AETNAWIRE.COM

