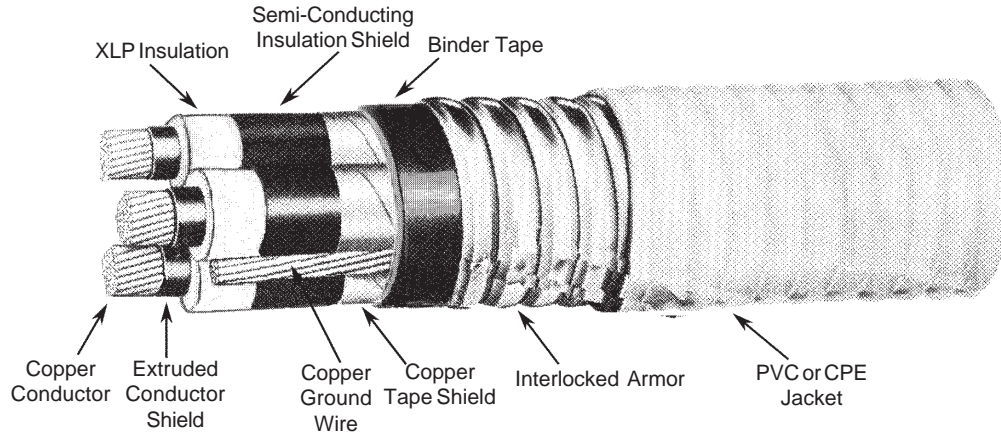


INTERLOCKED ARMORED POWER CABLE, 25000/28000 VOLT OR 35000 VOLT, XLP, SHIELDED

SPEC 3-62-5

Ver. 7.0

Revised: 06/13/08



90°C CONDUCTOR TEMPERATURE, WET OR DRY, 100% OR 133% INSULATION LEVEL

Conductor			Insulation in Mils	Overall Jacket in Mils	Size AWG Copper Ground Wire	Approximate O.D. in Inches	Ampacity** 40°C Ambient	Approximate Net Weight§ LBS/KFT
Size AWG or KCMIL	No. of Strands	Nominal O.D.						

THREE CONDUCTOR 25000/28000 VOLT 133% OR 35000 VOLT 100% INSULATION LEVEL

1*	19	0.32	345	75	4	3.09	185	3725
1/0	19	0.34	345	75	4	3.12	215	3980
2/0	19	0.38	345	85	4	3.22	245	4435
3/0	19	0.42	345	85	3	3.33	285	4960
4/0	19	0.48	345	85	3	3.44	325	5560
250	37	0.52	345	85	2	3.57	365	6195
300*	37	0.61	345	85	2	3.76	400	6985
350	37	0.62	345	85	2	3.77	435	7490
400*	37	0.71	345	85	1	3.97	470	8350
500	37	0.74	345	85	1	4.08	535	9540
600*	61	0.87	345	85	1/0	4.41	600	11145
750	61	0.91	345	85	1/0	4.50	670	12765

THREE CONDUCTOR 35000 VOLT, SHIELDED, 133% INSULATION LEVEL

1/0	19	0.34	420	85	4	3.48	215	4665
2/0	19	0.38	420	85	4	3.56	245	5075
3/0	19	0.42	420	85	3	3.67	285	5620
4/0	19	0.48	420	85	3	3.78	325	6235
250	37	0.52	420	85	2	3.90	365	6895
300*	37	0.61	420	85	2	4.15	400	7840
350	37	0.62	420	85	2	4.16	435	8350
400*	37	0.71	420	85	1	4.35	470	9245
500	37	0.74	420	85	1	4.42	535	10330

Note:**Based on three conductor cable isolated in air per NEC. For other installations refer to the NEC.

*Compressed conductors.

§Weights based on aluminum armor assembly.

The above data is approximate and subject to normal manufacturing tolerances.

STANDARDS AND RATINGS:

1. Conforms to ICEA S-93-639/NEMA WC74 Shielded Power Cable 5-46KV.
2. Cable listed by UL as Type MV-90 or MC per Standard 1072.
3. Listed by UL as Sunlight Resistant, for Direct Burial, and For CT Use.
4. Listed by UL as For CT Use & LS (Aetna 3742 LSOH jacket only).

AETNA INSULATED WIRE, INC.
1537 AIR RAIL AVENUE, VIRGINIA BEACH, VA 23455
TELEPHONE: (800) 423-6505 FAX: (757) 605-2094
WWW.AETNAWIRE.COM

