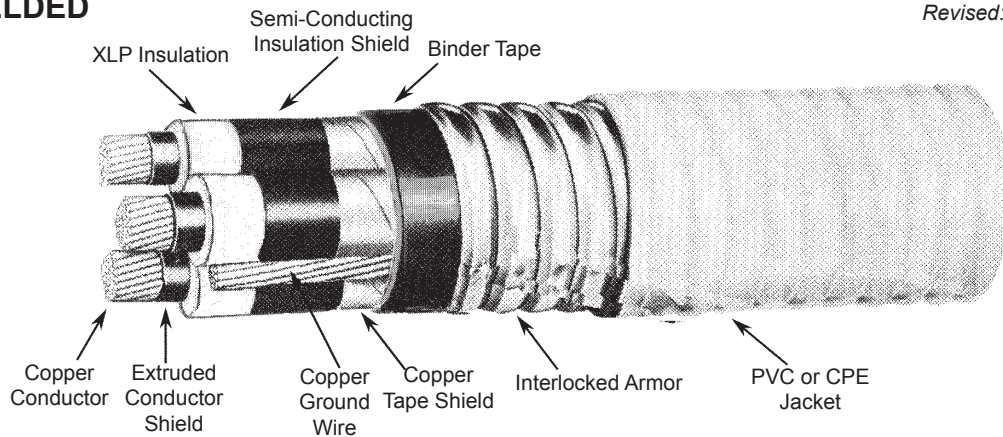


INTERLOCKED ARMORED POWER CABLE, 25000/28000 VOLT XLP, SHIELDED

SPEC 3-62-4
Ver. 7.1
Revised: 12/19/08



90°C CONDUCTOR TEMPERATURE, WET OR DRY, 100% INSULATION LEVEL

Conductor			Insulation in Mils	Overall Jacket in Mils	Size AWG Copper Ground Wire	Approximate O.D. in Inches	Ampacity** 40°C Ambient	Approximate Net Weight§ LBS/KFT
Size AWG or KCMIL	No. of Strands	Nominal O.D.						

THREE CONDUCTOR 25000 VOLT, SHIELDED, 100% INSULATION LEVEL

1*	19	0.32	260	75	4	2.66	185	3015
1/0	19	0.34	260	75	4	2.69	215	3265
2/0	19	0.38	260	75	4	2.78	245	3645
3/0	19	0.42	260	75	3	2.92	285	4230
4/0	19	0.48	260	75	3	3.03	325	4800
250	37	0.52	260	75	2	3.16	365	5365
300*	37	0.61	260	85	2	3.38	400	6220
350	37	0.62	260	85	2	3.38	435	6725
400*	37	0.71	260	85	2	3.58	470	7490
500	37	0.74	260	85	1	3.65	535	8600
600*	61	0.87	260	85	1	3.97	600	10060
750	61	0.91	260	85	1/0	4.11	670	11855
1000*	61	1.12	260	85	2/0	4.54	770	14945

THREE CONDUCTOR 28000 VOLT, SHIELDED, 100% INSULATION LEVEL

1*	19	0.32	280	75	4	2.75	185	3155
1/0	19	0.34	280	75	4	2.78	215	3405
2/0	19	0.38	280	75	4	2.87	245	3790
3/0	19	0.42	280	75	3	3.01	285	4380
4/0	19	0.48	280	75	3	3.12	325	4960
250	37	0.52	280	85	2	3.27	365	5630
300*	37	0.61	280	85	2	3.47	400	6395
350	37	0.62	280	85	2	3.48	435	6900
400*	37	0.71	280	85	1	3.67	470	7730
500	37	0.74	280	85	1	3.74	535	8787
600*	61	0.87	280	85	1/0	4.11	600	10455
750	61	0.91	280	85	1/0	4.20	670	12060

Note:**Based on three conductor cable isolated in air per NEC. For other installations refer to the NEC.

*Compressed conductors.

§Weights based on aluminum armor assembly.

The above data is approximate and subject to normal manufacturing tolerances.

STANDARDS AND RATINGS:

1. Conforms to ICEA S-93-639/NEMA WC74 Shielded Power Cable 5-46KV.
2. Cable listed by UL as Type MV-90 or MC per Standard 1072.
3. Listed by UL as Sunlight Resistant, for Direct Burial, For CT Use and IEEE 1202.
4. Listed by UL as For CT Use & LS (Aetna 3742 LSOH jacket only)
5. Conforms to ICEA T-29-520 210 KBTU/HR Vertical Tray Flame Test (PVC jacket only)

AETNA INSULATED WIRE, INC.
1537 AIR RAIL AVENUE, VIRGINIA BEACH, VA 23455
TELEPHONE: (800) 423-6505 FAX: (757) 605-2094
WWW.AETNAWIRE.COM

